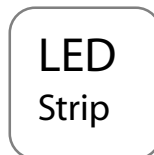
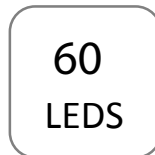


Specification

formulate	verify	approve

examine	confirmation	authorize



Item No : :

YS -R S 2835 W 60 5000*6, 300 LEDs non-Waterproof Constant voltage 12VDC Flexible Strip light

YS -R D2835 W60 5000*6, 300 LEDs Waterproof Constant voltage 12VDC Flexible Strip light

Picture :



Features :

- S shape (bendable) , 360 degree bendable, both vertically and horizontally ;
- Adopt SMD2835, 12VDC low voltage ;
- Adopt front 1OZ back 1OZ FPC board, high heat dissipation, low light failure ;
- 3M double sided tape for easy installation ;
- UL & CE & RoHS approved.

Application :

Hotels, shopping malls, homes, cabinets, display racks, indirect lighting, dark trough lighting, contouring, decorative lighting, etc.,

Warranty :

3 years ;

Technical parameters :

Item No.,	LED Color	CCT (K) Wavelength (nm)	CRI Ra	Color tolerance SDCM	Beam Angle (°)	Luminous Flux (lm/m)	Lighting effect (lm/W)	Input Voltage (VDC)	Current (mA)		Power (W)	
									1m	2m	1m	2m
YS-RS283 5-W060	Warm White	3000	80	5	120	612	85	12	600	1080	7.2	13
YS-RS283 5-W060	Neutra I White	4000	80	5	120	684	95	12	600	1080	7.2	13
YS-RS283 5-W060	Pure White	6500	80	5	120	648	90	12	600	1080	7.2	13

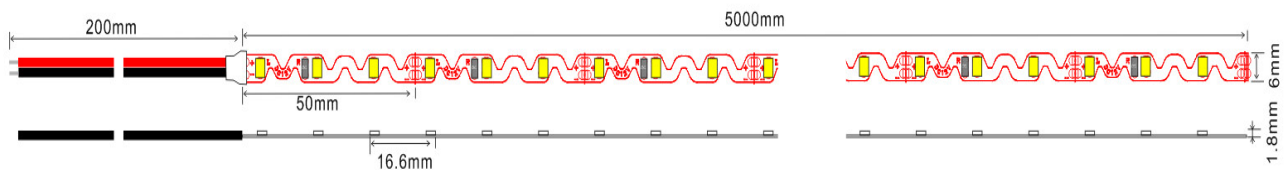
Other parameters :

Item No.,	IP Rate	Working temperature ()	Storage temperature ()	Standard Length (m)	Max connection (m)	LED Qty (pcs/m)	Weight (g/m)	Min cut unit (mm)
YS-RS283 5-W060	IP 65	-25~+60	-25~+70	2	5	60	12	50

Remark :

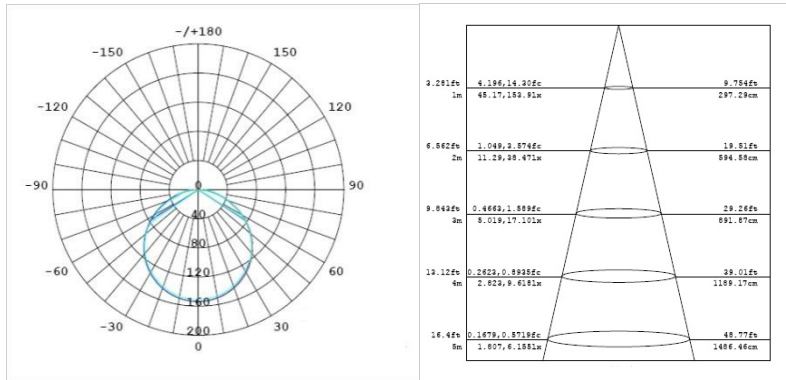
- (1) Test environment temperature is 25±2 (normal temperature) ;
- (2) The above data is typical, the actual parameters of the product may differ from the typical data; the data is subject to change without notice
- (3) The above "-" indicates that the parameters of this product are not required at the moment ;
- (4) Power is greater than 15W/m, need to cooperate with the profile heat dissipation

Dimension :



Unit : mm

Light distribution curve / isolux diagram :



Packaging :

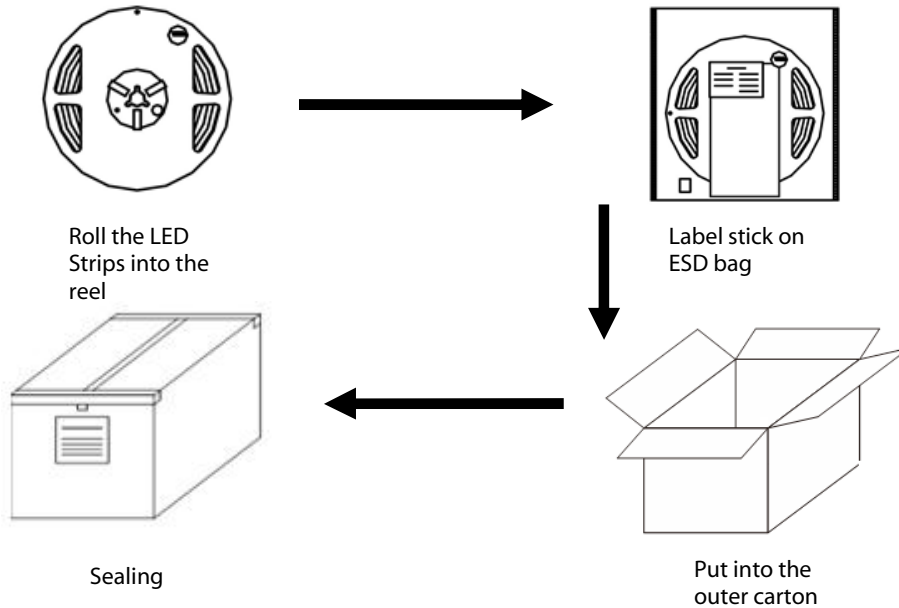
Item No.,	Qty per Rolls (m)	Qty per carton(m)	Total weight (Kg)	Dimension of outer carton (mm)		
				Length	Width	Height
YS -R S 2835 -W06 0	5	500	6.5	520	300	220

Remark : The above packing quantity and weight only refer to the packing method as shown in the diagram. When other packing methods are adopted, there will be differences in packing quantity and weight. Please subject to the actual product.

Protection level extension :

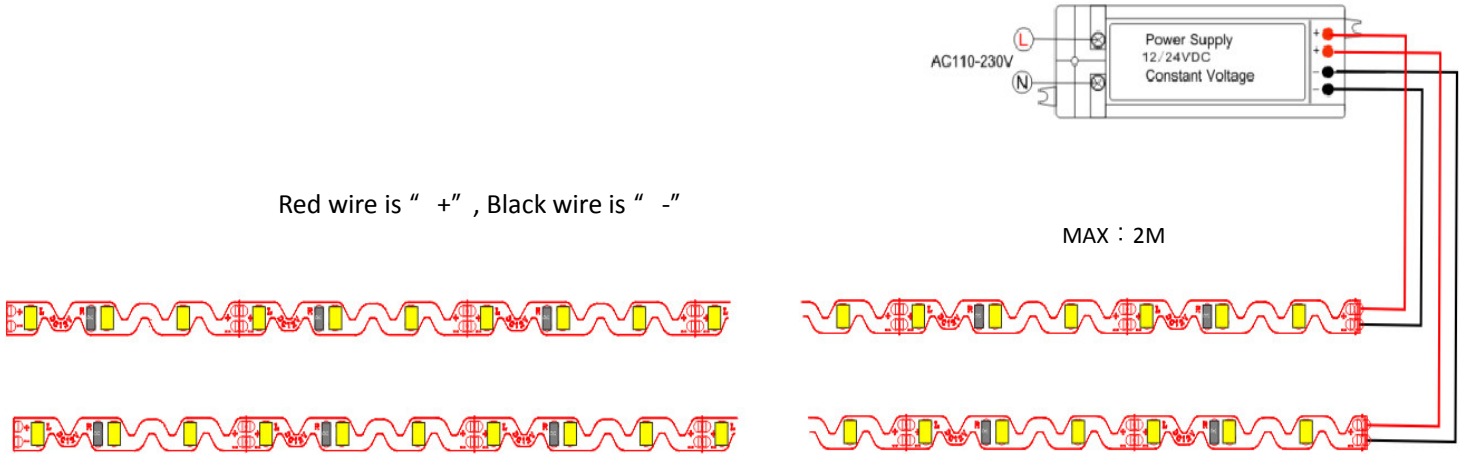
IP Rate	Picture	Dimension	Colors	Lumen output rate
IP20	IP20 naked board	5000*6*1.5	2700K/3000K/4000K/ 5000K/6500K	100%
IP65	IP65 Silicone spray	5000*6*1.7	2700K/3000K/4000K/ 5000K/6500K	98%

Packaging drawing :

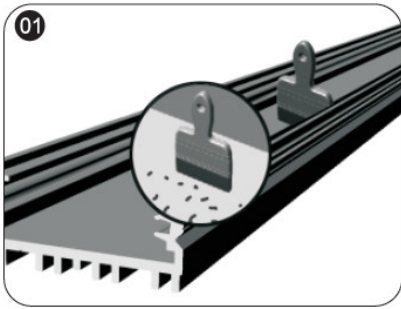


Installation :

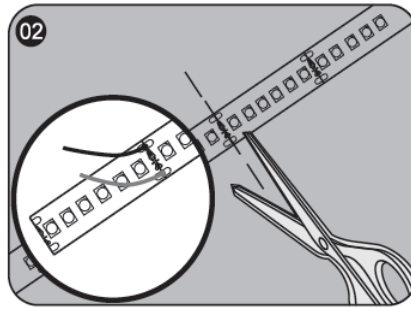
(Remark : The positive and negative wire need to be correctly connected to the positive and negative terminals of the power supply output.)



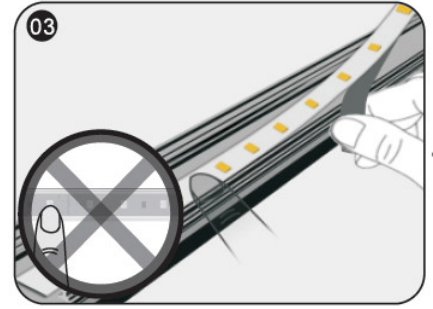
Installation step instructions and precautions :



01
Clean up debris on the mounting surface to ensure surface cleaning



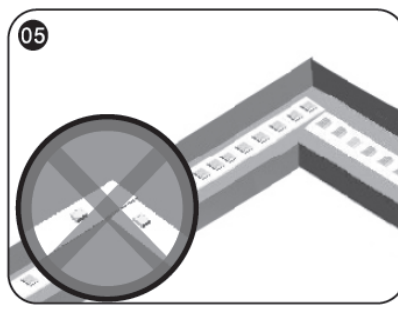
02
Measure the length of the strip to be installed, and cut the extra LED strip along the scissors marking line. If you need to increase the connecting wire, please weld it at the next scissors mark at the cut.



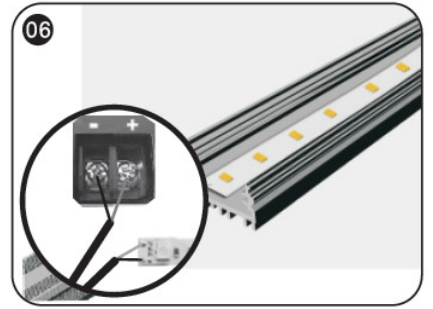
03
When attaching the led strip, be careful to peel while sticking. It is strictly forbidden to tear off all the release paper at once to prevent the led strip from sticking to each other.
Note: Do not press the lamp beads!



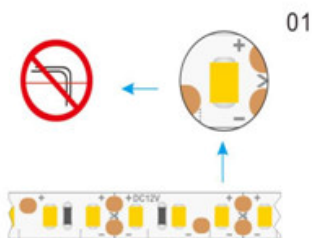
04
The position of the led where scissors are in contact with the bottom of the section need to isolate with sticker tape, so as to avoid short circuit.



05
The light strip at the corner is installed as shown above
Note: Do not fold into a right angle
Direct bending on the surface of the profile is strictly prohibited



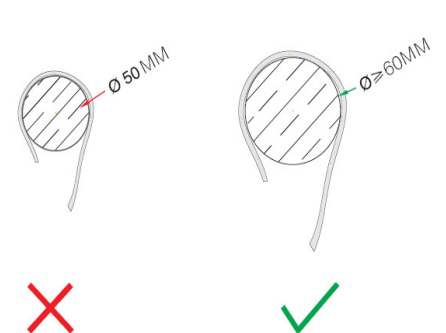
06
After the strip is installed, it is connected to the power output. Insulation, short - circuit protection and corrosion protection should be done at the terminals



01
Don't bend the LED position



02
Don't twist the led strips



03
Don't wrap objects less than 5cm in diameter

Common faults of products and troubleshooting methods :

Fault phenomenon	Potential causes	Solution
All LEDs are off	1、 The power is off.	power transmission
	2、 Automatic protection of the power supply after the output of the switching power supply is open or shorted.	trouble shooting and recovering the power supply
	3、 LED Strips with power supply terminal polarity reverse	Check the wire connection to ensure correct connection of positive and negative wire
Some of the LEDs are off	1、 Part of the switching power supply is not powered	Check the power supply system and troubleshoot
	2、 Part of the electricity supply line error	
	3、 Partial led strips with reverse polarity connection	Correct connection
LED brightness is not the same or the brightness is not enough	1、 Power overload	Replace the power supply with a larger power according to the load
	2、 Switching power supply line or circuit loss is too large	Ensure that the operating voltage of the led strips is within $\pm 5\%$ of the rated voltage 1. Cut the length of the wire between the strip and the power cord or use wires with larger diameter; 2. Ensure that the number of each led strip is less than or equal to the maximum allowable cascade ;And make each strip with a similar connection.
	3、 Over connection of LED Strips	Adjust the number of strips for each power supply and to meet the maximum connection requirements for each power supply.
LED flashing	1、 Poor contact at the wiring point	Find out the bad points and troubleshoot
	2、 Switching power supply failure	Replace the switching power supply

Statement :

If the external cord of the product is damaged, it should be replaced by the manufacturer or its service agent or a similarly qualified person to avoid danger.

For the specific installation and precautions of the product, please refer to the product manual.

The data above in this specification is based on standard products. Actual shipments may be a little difference. Please refer to the actual product.

All product drawings in this specification are schematic diagrams, and actual shipments may be a little difference. Please refer to the actual product.

SHENZHEN YESUN LED Limited

Address : 3/F, Blog A3, Langxin industrial park, Shiyuan Street, Bao'an
Tel: 86 -755 -29049310 Email: info@yesun-led.com
Web: www.yesun-led.com

dist., Shenzhen, Guangdong, China